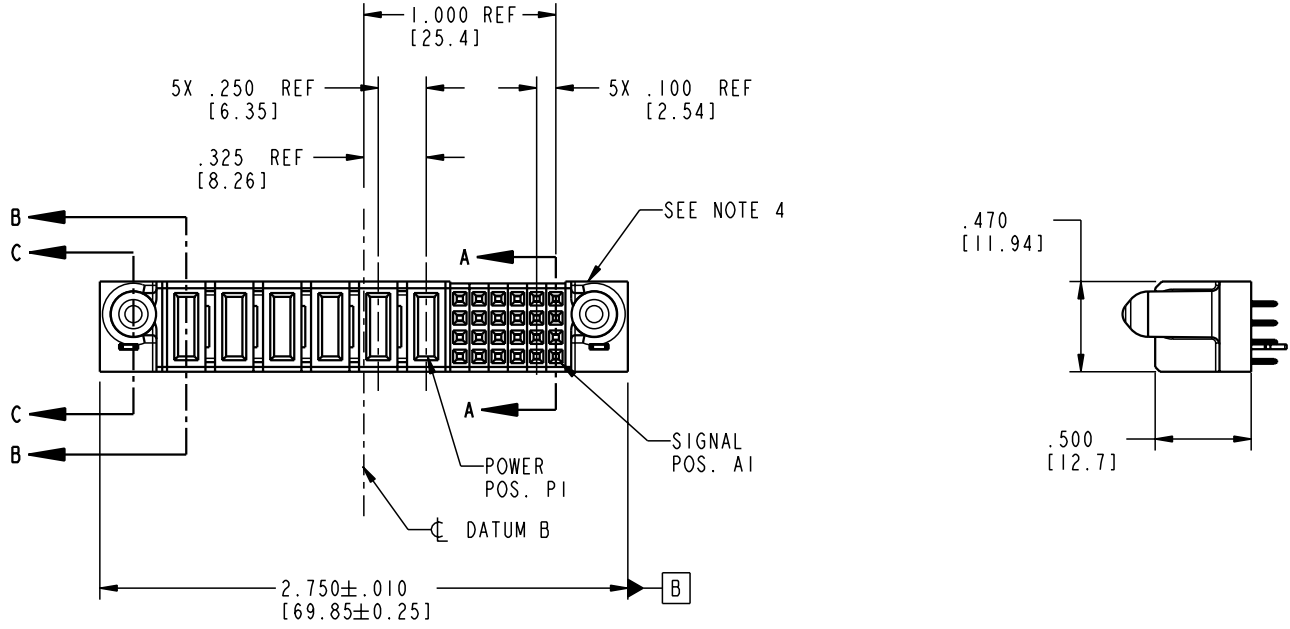


Tous droits strictement réservés. Reproduction ou communication o des liers interdite sous quelque forme que ce soit sans autorisation écrite du propriétaire. Propriete de c FCI. Droits de reproduction FCI.

All rights strictly reserved. Reproduction or issue to third parties in any form whenever is not permitted without written authority from the proprietor. Property of FCI. Copyright FCI.

PRODUCT NO.	ROWS	POWER						SIGNAL							
		E2	P6	P5	P4	P3	P2	P1	6	5	4	3	2	1	E1
51741-10002406AA	D C B A		PA	PA	PA	PA	PA	PA	E	E	E	E	E	E	E



CODE	DIM "M" MATING LENGTH	CONTACT TYPE
E	N/A [N/A]	SIGNAL
PA	.042 [1.07]	POWER
HA	N/A [N/A]	HOLD-DOWN

mat'l code				SEE NOTE 2		tolerances unless otherwise specified		CUSTOMER		 www.fciconnect.com	
ltr	ecn no.	dr	date	linear	.XX±.01/0.X±0.3		COPY		title		
A	V12504	JWS	10/17/01		.XXX±.005/0.XXX±0.13		projection		24S + 6P		
B	V21374	CGD	08/22/02		.XXX±.0020/0.XXX±0.051		 INCH/MM		VERTICAL SOLDER RECEPT		
				angles	0° ± 2°		scale		product family		code
				dr	C. DAILY	08/22/02	1:1		PwrBlade		213
				engr	M. MOSTOLLER	08/22/02			size		sheet
				chr	M. MOSTOLLER	08/22/02			dwg no		1 of 4
				appd	M. MOSTOLLER	08/22/02			A 51741-10002406AA		
sheet index	revision	B	B	B	B						
	sheet	1	2	3	4						

Pro/E 3 cage code 22526 4

Tous droits strictement reserves. Reproduction ou communication a des tiers interdite sous quelque forme que ce soit sans autorisation ecrite du proprietaire. Propriete de c FCI. Droits de reproduction FCI.

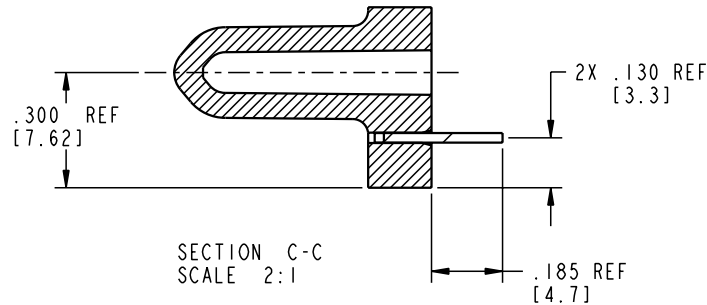
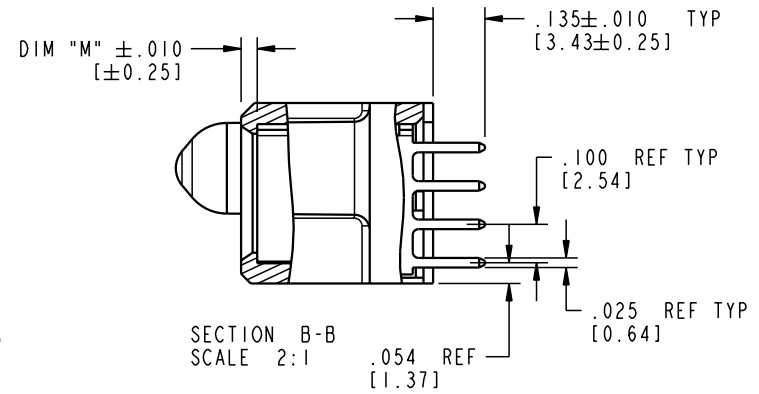
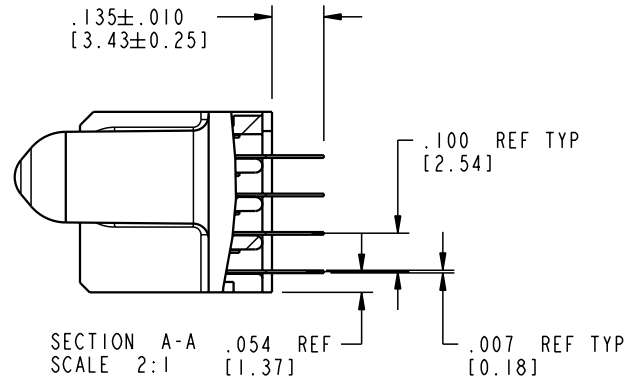
**A**  
**FCI**

All rights strictly reserved. Reproduction or issue to third parties in any form whatever is not permitted without written authority from the proprietor. Property of FCI. Copyright FCI.

**A**

**B**

PRODUCT NUMBER  
51741-10002406AA



mat'l code				SEE NOTE 2		tolerances unless otherwise specified		CUSTOMER		<b>A</b> <b>FCI</b> www.fciconnect.com	
ltr	ecm no.	dr	date	linear	.XX±.01/0.X±0.3	projection	COPY		title		
B				angles	.XXX±.005/0.XX±0.13				24S + 6P		
				dr	.XXX±.0020/0.XXX±0.051		INCH/MM		VERTICAL SOLDER RECEIPT		
				enr	0° ± 2°	scale	1:1		product family		code
				chr	C. DAILY 08/22/02				PwrBlade		213
				appd	M. MOSTOLLER 08/22/02				size		sheet
					M. MOSTOLLER 08/22/02				A 51741-10002406AA		2 of 4
sheet index	revision sheet										

**A**

**B**

1 | 2

3 |

4

1 | 2

Pro/E

3 |

cage code 22526

4

**PDM: Rev:B**

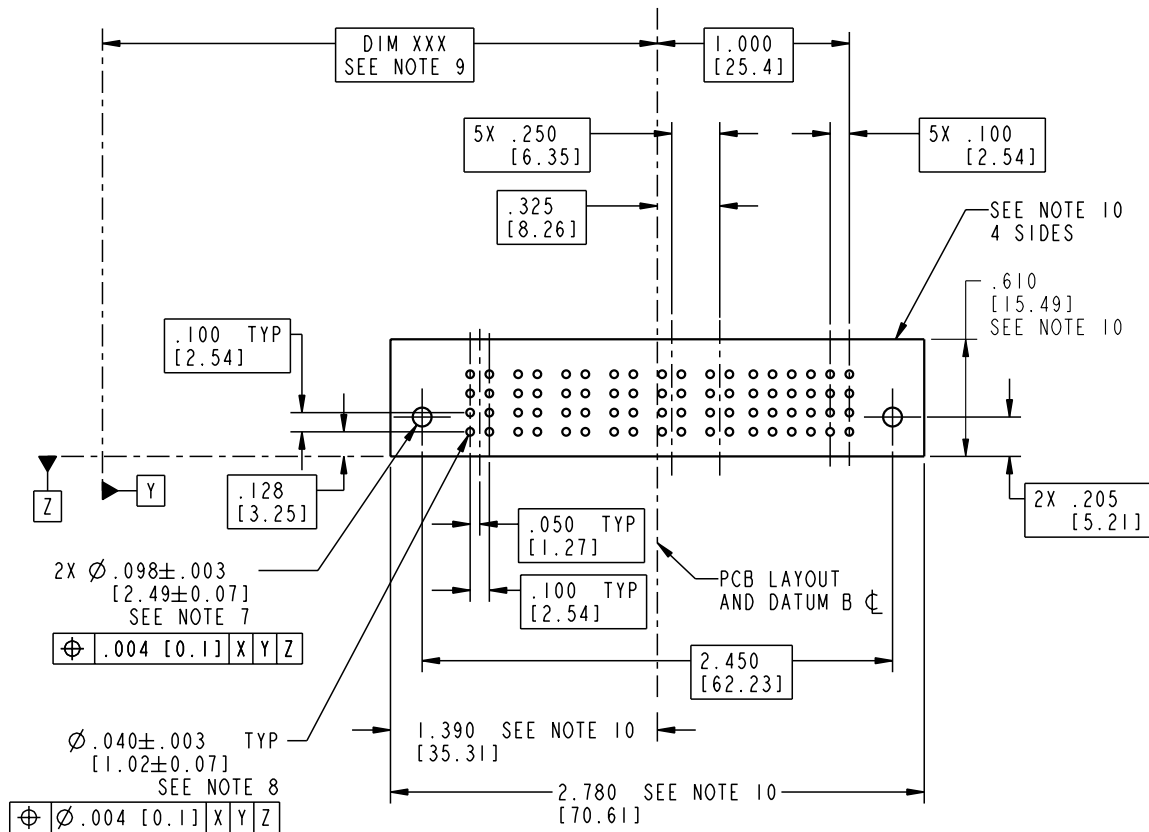
STATUS: **Released**

Printed: Aug 14, 2007

Tous droits strictement réservés. Reproduction ou communication o des tiers interdite sous quelque forme que ce soit sans autorisation écrite du propriétaire. Propriété de c FCI. Droits de reproduction FCI.

All rights strictly reserved. Reproduction or issue to third parties in any form, whenever is not permitted without written authority from the proprietor. Property of FCI. Copyright FCI.

PRODUCT NUMBER  
51741-10002406AA



mat'l code				SEE NOTE 2		tolerances unless otherwise specified		CUSTOMER		 www.fciconnect.com	
ltr	ecr no.	dr	date	linear	.XX±.01/0.X±0.3	projection		COPY		title	
B				angles	.XXX±.005/0.XX±0.13					24S + 6P	
				dr	.XXX±.0020/0.XXX±0.051			INCH/MM		VERTICAL SOLDER RECEIPT	
				enr	0° ± 2°	C. DAILY		08/22/02		product family	
				chr		M. MOSTOLLER		08/22/02		PwrBlade	
				appd		M. MOSTOLLER		08/22/02		code	
sheet index		revision sheet								213	
										3 of 4	

cage code 22526

Pro/E

PDM: Rev:B

STATUS: Released

Printed: Aug 14, 2007

Tous droits strictement réservés. Reproduction ou communication o des tiers interdite sous quelque forme que ce soit sans autorisation écrite du propriétaire. Propriete de c FCI. Droits de reproduction FCI.

**A**  
**FCI**

All rights strictly reserved. Reproduction or issue to third parties in any form, whenever is not permitted without written authority from the proprietor. Property of FCI. Copyright FCI.

**B**

PRODUCT NUMBER  
51741-10002406AA

NOTES:

1. DIMENSIONS AND TOLERANCES ARE IN ACCORDANCE WITH ASME Y14.5M, 1994 UNLESS OTHERWISE SPECIFIED.

CONNECTOR NOTES:

- 2 HOUSING MATERIAL: UL 94 V-0 GLASS FILLED  
HIGH-TEMP THERMOPLASTIC  
POWER CONTACT MATERIAL: COPPER ALLOY  
SIGNAL PIN MATERIAL: COPPER ALLOY
- 3. PLATING:  
SIGNAL PINS: 30u"/0.76um Au OVER 50u"/1.27um Ni  
POWER CONTACTS: 50u"/1.27um Ni UNDER ALL  
WITH 30u"/0.76um Au ON CONTACT AREA  
AND SnPb ON PCB INTERFACE

4 MANUFACTURER'S NAME, P/N, AND DATE CODE TO APPEAR ON THIS SURFACE.

5. PRODUCT SPECIFICATION GS-12-149.  
APPLICATION SPECIFICATION BUS-20-067.

PCB NOTES:

- 6. ALL HOLE DIAMETERS ARE FINISHED HOLE SIZE.
- 7. MOUNTING HOLES, WHERE APPLICABLE, ARE UNPLATED.

8  $\varnothing .0453 \pm .0010$  [1.151 ± 0.025] DRILLED HOLES PLATED WITH  
.0003 [0.008] MIN SnPb OVER .001 [0.03]  
TO .003 [0.08] Cu PLATING TO ACHIEVE  
 $\varnothing .040 \pm .003$  [1.02 ± .07] HOLE.

9 "DIM XXX" TO BE DETERMINED BY THE CUSTOMER.

10 CONNECTOR KEEP-OUT ZONE.

mat'l code				SEE NOTE 2		tolerances unless otherwise specified		CUSTOMER		<b>A</b> <b>FCI</b> www.fciconnect.com	
ltr	ecr no.	dr	date	linear	.XX±.01/0.X±0.3		COPY		title 24S + 6P VERTICAL SOLDER RECEPT		
B					.XXX±.005/0.XX±0.13		projection				
				angles	.XXX±.0020/0.XXX±0.051				product family PwrBlade code 213		
				dr	C. DAILY	08/22/02	INCH/MM		size dwg no		
				enr	M. MOSTOLLER	08/22/02	scale		A 51741-10002406AA		
				chr	M. MOSTOLLER	08/22/02	1:1		sheet 4 of 4		
				appd	M. MOSTOLLER	08/22/02					
sheet index	revision sheet										

**A**

**B**

1 | 2

3 |

4

1 | 2

Pro/E

3 |

cage code 22526

4